

The mechanical seal kit and bearing frame kit are offered separately. We recommend ordering both kits for a major service.

Both the Mechanical Seal and Bearing Frame kits include all of the O-rings needed for service.



Part Number	Description
372000106	Mechanical Seal Kit, includes O-rings
373000104	Bearing Frame Kit, includes O-rings

PN 372000106 Mechanical Seal Kit

Qty	Item #	Description
1	12721110	Shim 2.56 X 1.28 X .005
1	12721111	Shim 2.56 X 1.28 X .010
1	12721112	Shim 2.56 X 1.28 X .015
1	12721147	Shim 2.56 X 1.28 X .060
1	30422187	Cartridge Seal Assmby
1	32635062F125	Impeller Screw
1	30148210	O-Ring, Seal Flush
2	30148273	O-Ring, Seal Plate (ES4) Inspection Cover (ES4)
3	30148449	O-Ring, Bearing Housing (ES4) Inspection Cover (ES4)
1	30148277	O-Ring, Seal Plate (ES6) Inspection Cover (ES6)
1	30148454	O-Ring, Bearing Housing (ES6) Inspection Cover (ES6)
1	21422783	Impeller Washer
1	34800104	P-80 Lubricant, 10ML
1	34800105	Loctite 263, 0.5ML
1	12211110	Key

PN 373000104 Bearing Frame Kit

Qty	Item #	Description
3	30500110	Lip Seal
1	31900112	Bearing
1	31900123	Bearing
1	353005100177	Snap Ring 5100-177
1	30148210	O-Ring, Seal Flush
2	30148273	O-Ring, Seal Plate (ES4) Inspection Cover (ES4)
3	30148449	O-Ring, Bearing Housing (ES4) Inspection Cover (ES4)
2	30148277	O-Ring, Seal Plate (ES6) Inspection Cover (ES6)
1	30148454	O-Ring, Bearing Housing (ES6) Inspection Cover (ES6)
1	318527375	Gasket, Bearing Cap
1	318527849	Gasket, Seal Plate (ES4)
1	318527374	Gasket, Seal Plate (ES6)

Service Parts Kits

Pump Models
ES4 ES6

Ordering Information

Parts Kits are in stock and available for shipment within 2 business days.
Please call or fax orders. Phone (503) 266-4115, Fax (503) 266-4116.
Email: Canbyparts@pioneerpump.com.

Part Number	Description
372000106.....	Mechanical Seal Kit
373000104.....	Bearing Frame Kit

Optional Parts

Additional parts for this model.

Model	Description	Part Number
ES4.....	Wear Plate	23411693
ES4.....	Impeller, Ductile Iron	21204774
ES6.....	Wear Plate	23411723
ES6.....	Impeller, Ductile Iron	21204775

Notes:

1. Part numbers listed reflect updated part numbers as of Feb 1, 2015. Older documentation may have different part numbers. Please consult factory if differences appear.
2. Viton O-rings are included when available.

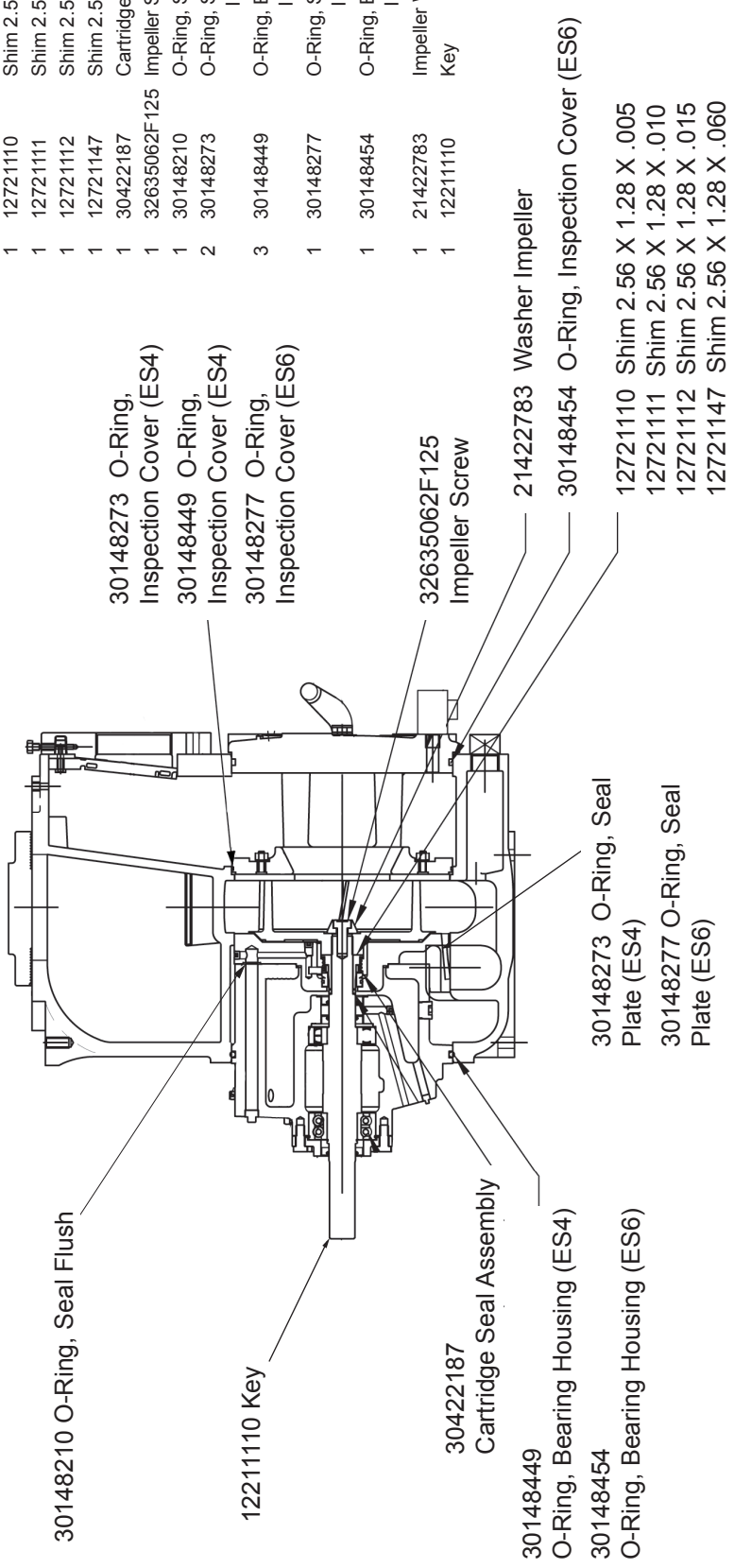


310 South Sequoia Parkway, Canby, OR 97013 USA
Phone (503) 266-4115 ■ Fax (503) 266-4116
www.pioneerpump.com

Parts Drawing - 372000106 Mechanical Seal Parts Kit

Pump Models
ES4
ES6

Oil Lubricated



PN 37200106 Mechanical Seal Kit

Qty	Item #	Description
1	12721110	Shim 2.56 X 1.28 X .005
1	12721111	Shim 2.56 X 1.28 X .010
1	12721112	Shim 2.56 X 1.28 X .015
1	12721147	Shim 2.56 X 1.28 X .060
1	30422187	Cartridge Seal Assembly
1	32635062F125	Impeller Screw
1	30148210	O-Ring, Seal Flush
2	30148273	O-Ring, Seal Plate (ES4)
3	30148449	O-Ring, Bearing Housing (ES4)
1	30148277	O-Ring, Seal Plate (ES6)
1	30148454	O-Ring, Bearing Housing (ES6)
1	21422783	Impeller Washer
1	12211110	Key

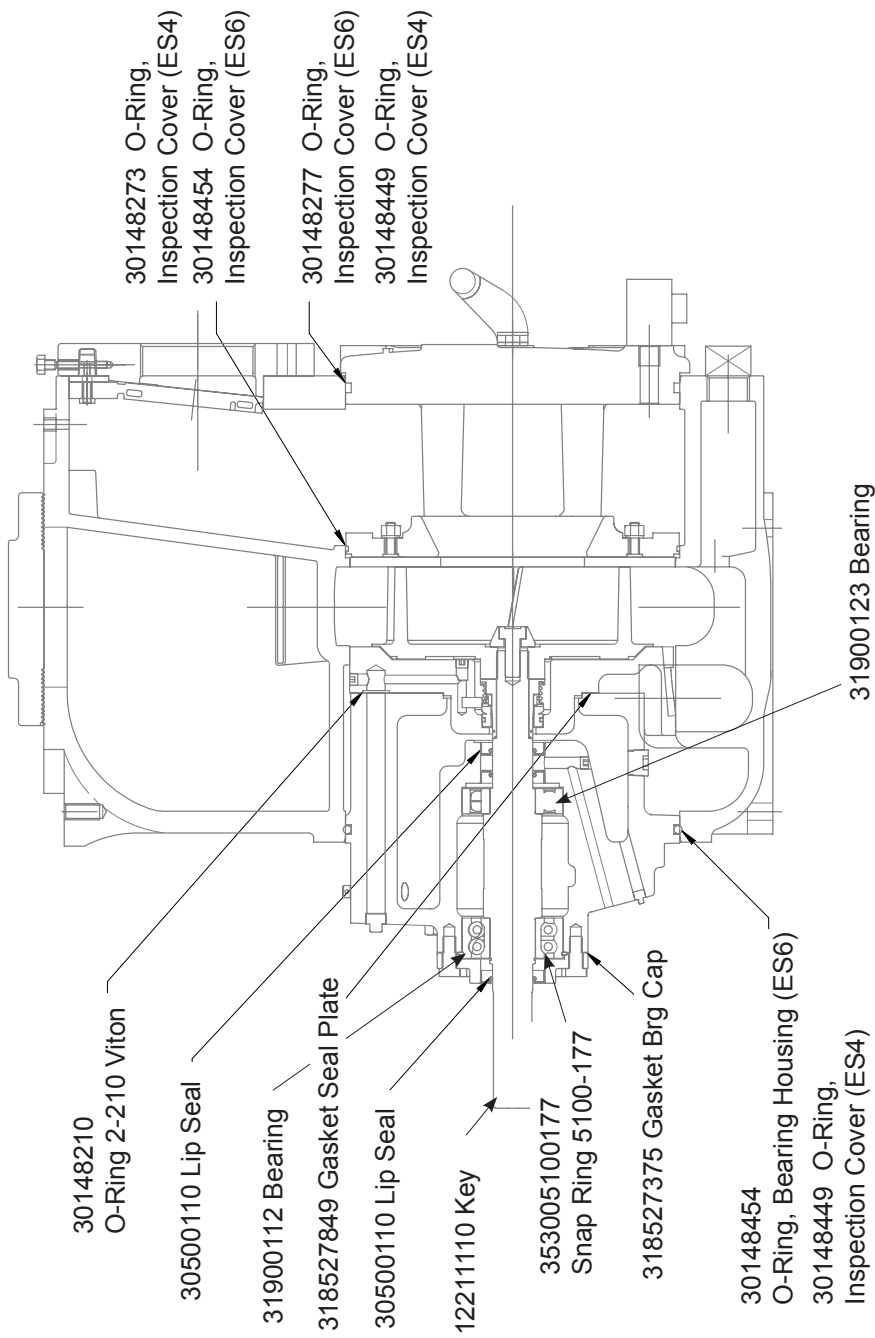


310 South Sequoia Parkway, Canby, OR 97013 USA
 Phone (503) 266-4115 ■ Fax (503) 266-4116
www.pioneerpump.com

Parts Drawing - 373000104 Bearing Frame Kit

Pump Models
ES4
ES6

Oil Lubricated



PN 373000104 Bearing Frame Kit

Qty	Item #	Description
2	30500110	Lip Seal
1	31900112	Bearing
1	31900123	Bearing
1	353005100177	Snap Ring 5100-177
1	30148210	O-Ring 2-210 Viton
2	30148273	O-Ring, Seal Plate (ES4)
		Inspection Cover (ES4)
3	30148449	O-Ring, Bearing Housing (ES4)
		Inspection Cover (ES4)
2	30148277	O-Ring, Seal Plate (ES6)
		Inspection Cover (ES6)
1	30148454	O-Ring, Bearing Housing (ES6)
		Inspection Cover (ES6)
1	318527375	Gasket, Bearing Cap
1	318527849	Gasket, Seal Plate (ES4)
1	318527374	Gasket, Seal Plate (ES6)



310 South Sequoia Parkway, Canby, OR 97013 USA
 Phone (503) 266-4115 ■ Fax (503) 266-4116
www.pioneerpump.com