



Service Parts Kits

Pump Models

PP1818S22 SC1818S22 VP1818S22

Oil Lubricated

The mechanical seal kit and bearing frame kit are offered separately. We recommend ordering both kits for a major service.

Both the Mechanical Seal and Bearing Frame kits include all of the O-rings needed for service.

Part Number	Description
372000127	Mechanical Seal Repair Kit, includes O-rings
373000123	Bearing Frame Repair Kit, includes O-rings

PN 372000127 Mechanical Seal Kit

Qty	Item #	Description
1	1142711390	Impeller Lock Washer
1	12227115	Impeller Key
1	30400176	Mechanical Seal
1	1142713220	Tong Washer
1	3512111391	Washer, Centering
1	12721137	Shim .005"
1	12721138	Shim .010"
1	12721139	Shim .015"
1	12721140	Shim .030"
2	30147391	O-Ring, Backplate/Suction Cover
1	30147436	O-Ring, Cleanout Cover
1	30147278	O-Ring, Bracket
1	30147177	O-Ring, Bearing Cap
1	34800105	Loctite 263, 0.5ML
1	34800104	P-80 Lubricant, 10ML

PN 373000123 Bearing Frame Kit

Qty	Item #	Description
1	12100103	Wave Spring
1	32000105	Bearing, Washer
1	32100105	Bearing, Nut
2	34300108	Bearing Isolator
1	31900119	Bearing, Pump End
2	31900203	Bearing, Drive End
1	31858121	Tapered Rubber Plug
1	12721134	Shim .005"
1	12721135	Shim .010"
1	12721136	Shim .015"
1	30147391	O-Ring, Backplate/Suction Cover
1	30147436	O-Ring, Cleanout Cover
1	30147278	O-Ring, Bracket
1	30147177	O-Ring, Bearing Cap

Service Parts Kits

Pump Models

PP1818S22 SC1818S22 VP1818S22

Oil Lubricated

Ordering Information

Parts Kits are in stock and available for shipment within 2 business days.

Please call or fax orders. Phone (503) 266-4115, Fax (503) 266-4116.

Email: Canbyparts@pioneerpump.com.

Part Number	Description
372000127.....	Mechanical Seal Kit
373000123.....	Bearing Frame Kit

Optional Parts

Additional replacement parts for this model.

Model	Description	Part Number
1818S22	Impeller, Ductile Iron.....	112043512
1818S22	Impeller, CA6.....	112303512
1818S22	Wear Ring, Cast Iron.....	109024432
1818S22	Shaft, 17-4.....	120274485

Notes:

1. Part numbers listed reflect updated part numbers as of Feb 1, 2015. Older documentation may have different part numbers. Please consult factory if differences appear.
2. Viton O-rings are included when available.



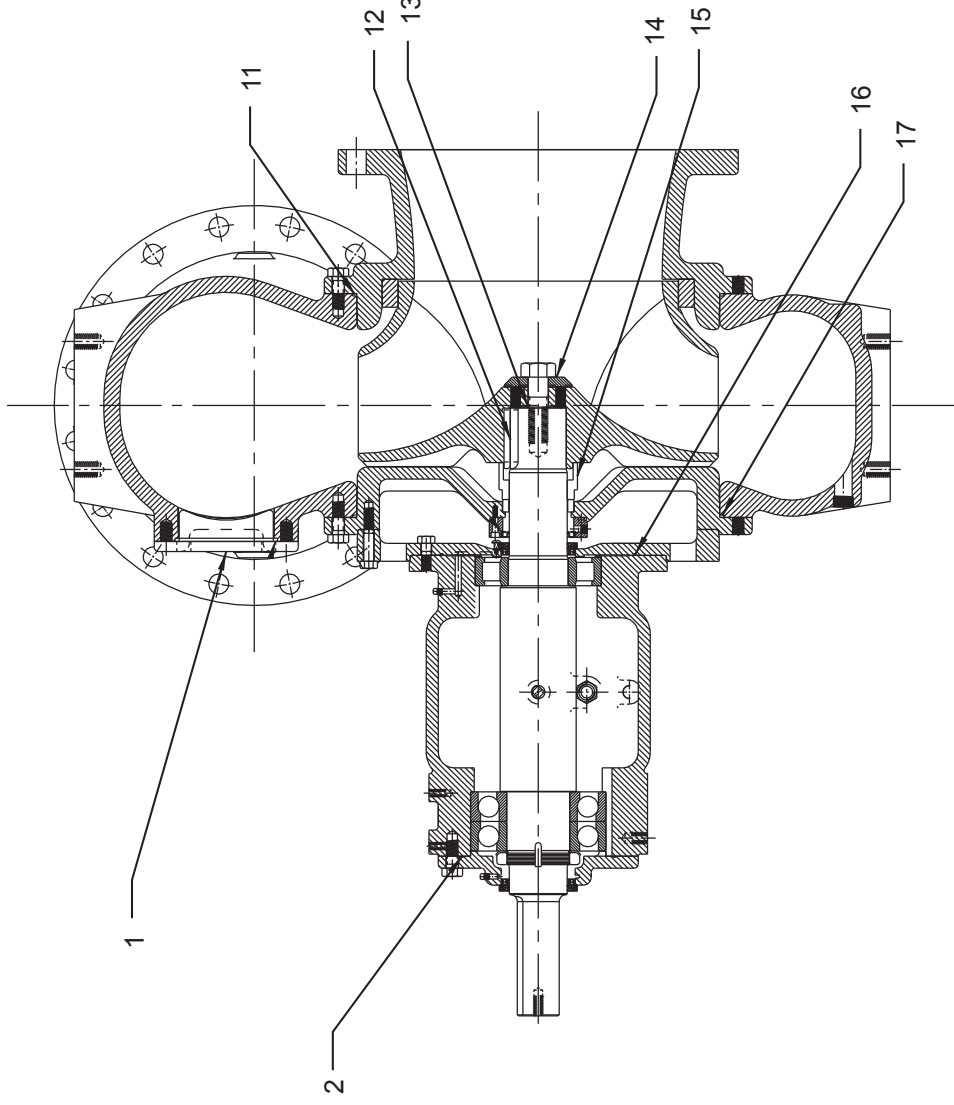
310 South Sequoia Parkway, Canby, OR 97013 USA

Phone (503) 266-4115 ■ Fax (503) 266-4116

www.pioneerpump.com

Parts Drawing - 372000127 Mechanical Seal Parts Kit

Pump Model
1818S22



PN 372000127 Mechanical Seal Kit

This Kit includes O-Rings

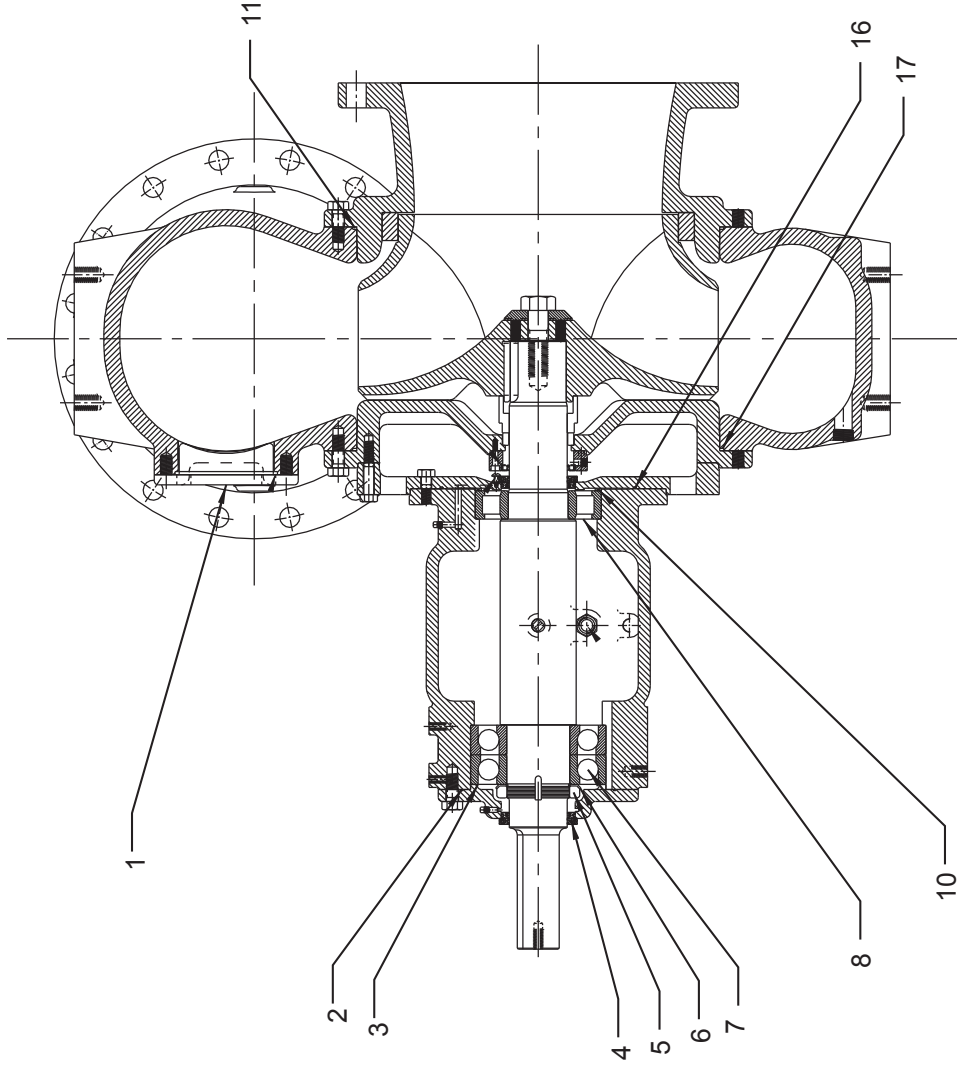
Ref #	Item #	Description	Qty
1	30147436	O-Ring, Cleanout Cover	1
2	30147177	O-Ring, Bearing Cap	1
11	30147391	O-Ring, Backplate/Suction 2 Cover	2
12	12227115	Impeller Key	1
13	12721137	Shim .005"	1
13	12721138	Shim .010"	1
13	12721139	Shim .015"	1
13	12721140	Shim .030"	1
14	1142713220	Tong Washer	1
14	3512111391	Washer, Centering	1
14	1142711390	Impeller Lock Washer	1
15	30400176	Mechanical Seal	1
16	30147278	O-Ring, Bracket	1
17	30147391	O-Ring, Backplate/Suction 2 Cover	2



310 South Sequoia Parkway, Canby, OR 97013 USA
 Phone (503) 266-4115 ■ Fax (503) 266-4116
www.pioneerpump.com

Parts Drawing - 373000123 Bearing Frame Kit

Pump Model
1818S22



PN 373000123 Bearing Frame Kit

This Kit includes O-Rings

Ref #	Item #	Description	Qty
1	30147436	O-Ring, Cleanout Cover	1
2	30147177	O-Ring, Bearing Cap	1
3	12721134	Shim .005"	1
3	12721135	Shim .010"	1
3	12721136	Shim .015"	1
4	34300108	Bearing Isolator	2
5	32100105	Bearing Nut	1
6	32000105	Bearing, Washer	1
7	31900203	Bearing, Drive End	2
8	31900119	Bearing, Pump End	1
10	12100103	Wave Spring	1
11	30147391	O-Ring, Backplate/Suction 1 Cover	1
16	30147278	O-Ring, Bracket	1
17	30147391	O-Ring, Backplate/Suction 1 Cover	1
	31858121	Tapered Rubber Plug	1