



Service Parts Kits

Pump Models

PP3030S34 SC3030S34 VP3030S34

Oil Lubricated

The mechanical seal kit and bearing frame kit are offered separately. We recommend ordering both kits for a major service.

Both the Mechanical Seal and Bearing Frame kits include all of the O-rings needed for service.

Part Number	Description
372000124	Mechanical Seal Repair Kit, includes O-rings
373000121	Bearing Frame Repair Kit, includes O-rings

PN 372000124 Mechanical Seal Kit

Qty	Item #	Description
1	30425192	Mechanical Seal
1	12721163	Shim .005"
1	12721164	Shim .010"
1	12721165	Shim .015"
2	3014709846	O-Ring, Suction Cover/ Bracket
1	3014709847	O-Ring, Backplate
1	30147261	O-Ring, Seal
1	30147436	O-Ring, Cleanout Cover
1	30148276	O-Ring, Seal Gland
1	30147281	O-Ring, Bearing Cap
1	30147382	O-Ring
1	30147436	O-Ring
1	34800105	Loctite 263, 0.5ML
1	34800104	P-80 Lubricant, 10ML

PN 373000121 Bearing Frame Kit

Qty	Item #	Description
2	30500165	Lip Seal
1	32000107	Bearing, Washer
1	32100107	Bearing, Nut
2	31900504	Bearing, Drive End
1	31900503	Bearing, Pump End
1	31858118	Tapered Rubber Plug
1	12100104	Wave Spring
	34300121	Bearing Isolator
1	12721162	Shim .005"
1	12721161	Shim .010"
1	12721160	Shim .015"
2	3014709846	O-Ring, Suction Cover/ Bracket
1	3014709847	O-Ring, Backplate
1	30147261	O-Ring, Seal
1	30147436	O-Ring, Cleanout Cover
1	30148276	O-Ring, Seal Gland
1	30147281	O-Ring, Bearing Cap
1	30147382	O-Ring
1	30147436	O-Ring

Service Parts Kits

Pump Models

PP3030S34 SC3030S34 VP3030S34

Oil Lubricated

Ordering Information

Parts Kits are in stock and available for shipment within 2 business days.

Please call or fax orders. Phone (503) 266-4115, Fax (503) 266-4116.

Email: Canbyparts@pioneerpump.com.

Part Number	Description
372000024.....	Mechanical Seal Kit
373000121.....	Bearing Frame Kit

Optional Parts

Additional replacement parts for this model.

Model	Description	Part Number
3030S34	Impeller, CA6NM.....	1123009675
3030S34	Shaft, 17-4	1202709677

Notes:

1. Part numbers listed reflect updated part numbers as of Feb 1, 2015. Older documentation may have different part numbers. Please consult factory if differences appear.
2. Viton O-rings are included when available.



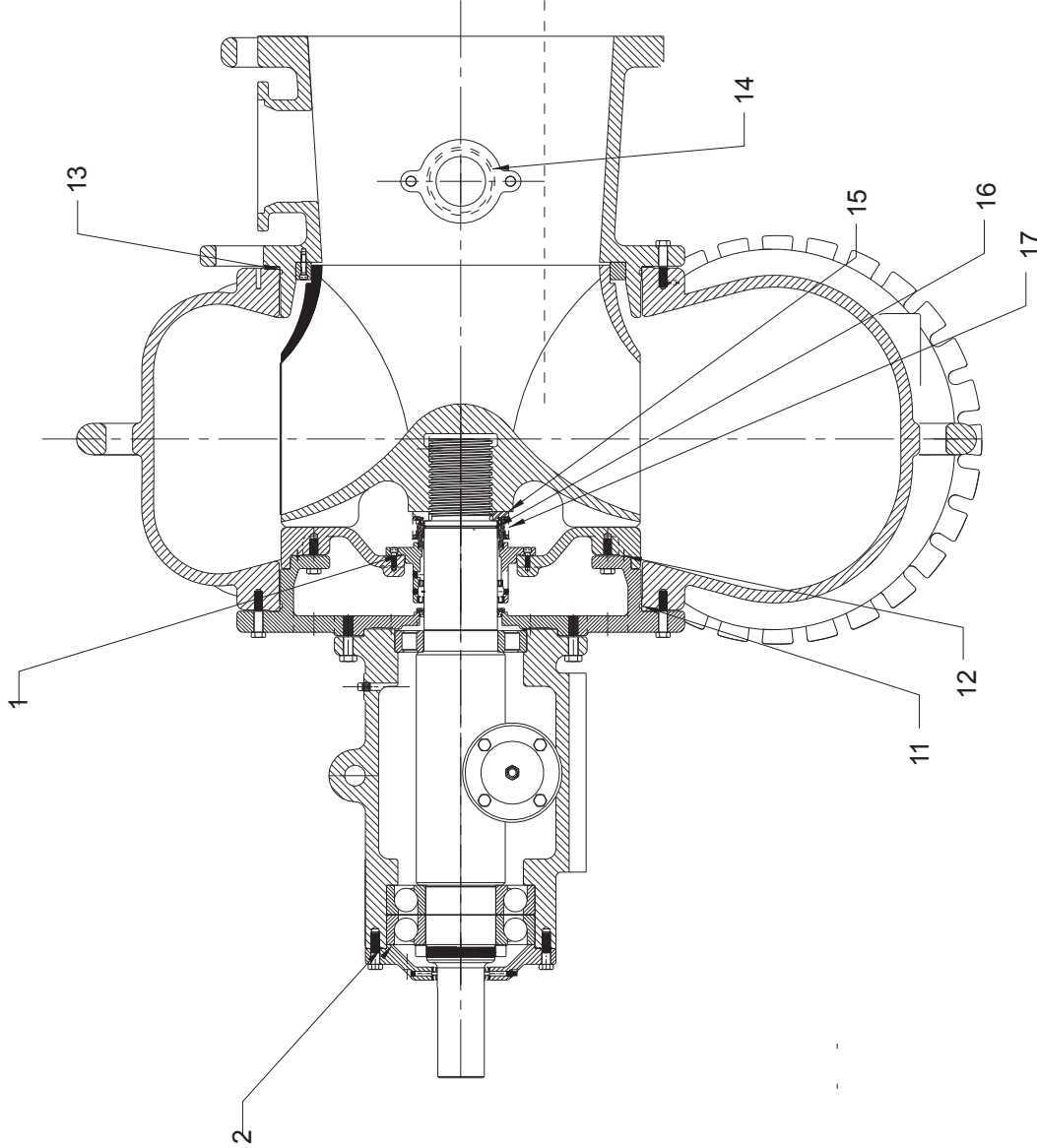
310 South Sequoia Parkway, Canby, OR 97013 USA

Phone (503) 266-4115 ■ Fax (503) 266-4116

www.pioneerpump.com

Parts Drawing - 372000124 Mechanical Seal Parts Kit

Pump Model
3030S34



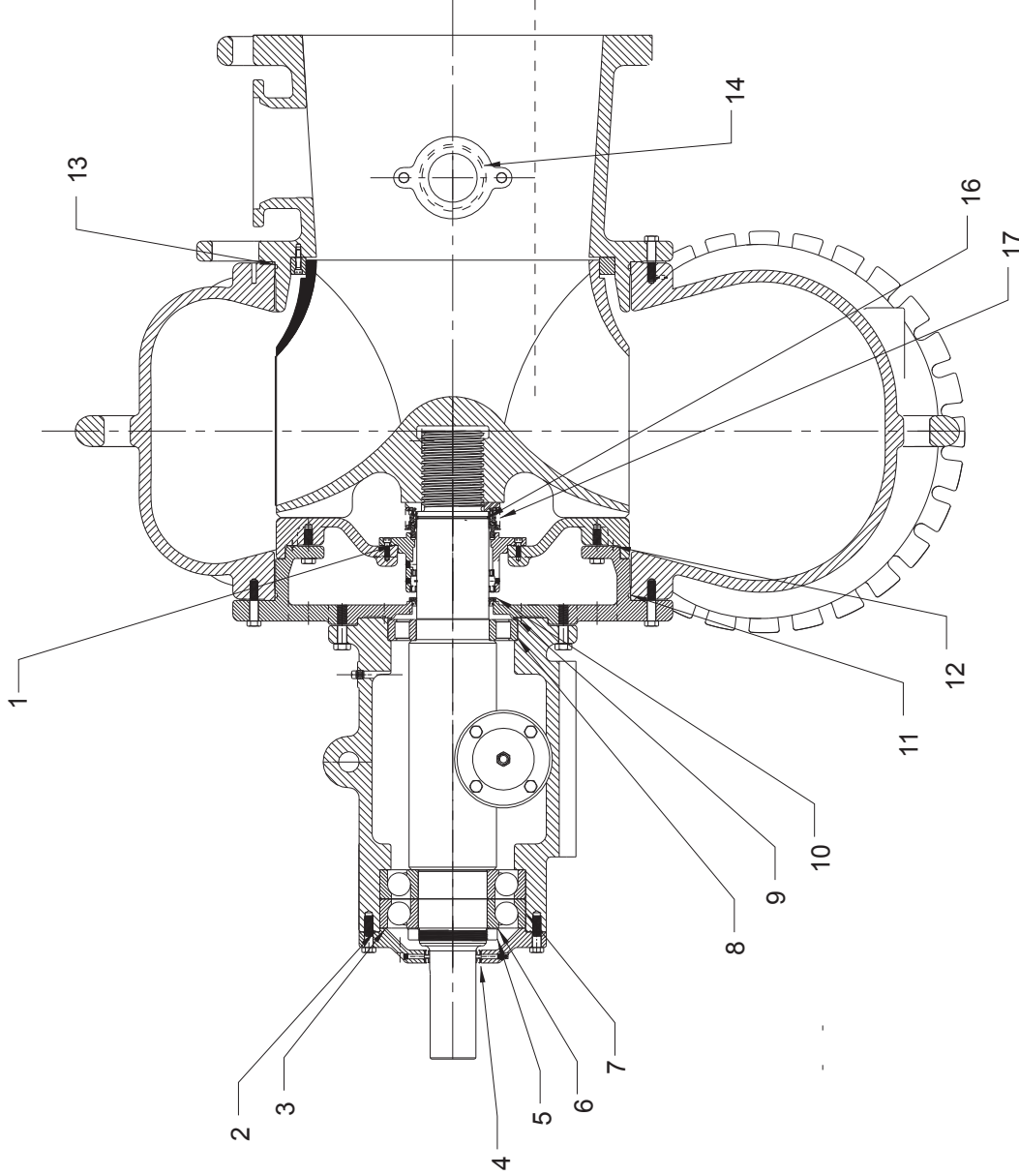
PN 372000124 Mechanical Seal Kit

This Kit includes O-Rings

Ref #	Item #	Description	Qty
1	30148276	O-Ring, Seal Gland	1
2	30147281	O-Ring, Bearing Cap	1
11	3014709846	O-Ring, Suction Cover/ Bracket	2
12	3014709847	O-Ring, Backplate	1
13	3014709846	O-Ring, Suction Cover/ Bracket	2
14	30147436	O-Ring, Cleanout Cover	1
15	12721163	Shim .005"	1
15	12721164	Shim .010"	1
15	12721165	Shim .015"	1
16	30147261	O-Ring, Seal	1
17	30425192	Mechanical Seal	1
	30147382	O-Ring	1
	30147436	O-Ring	1

Parts Drawing - 373000121 Bearing Frame Parts Kit

Pump Model
3030S34



PN 373000121 Bearing Frame Kit

This Kit includes O-Rings

Ref #	Item #	Description	Qty
1	30148276	O-Ring, Seal Gland	1
2	30147281	O-Ring, Bearing Cap	1
3	12721162	Shim .005"	1
3	12721161	Shim .010"	1
3	12721160	Shim .015"	1
4	30500165	Lip Seal	2
5	32100107	Bearing, Nut	1
6	32000107	Bearing, Washer	1
7	31900504	Bearing, Drive End	2
8	31900503	Bearing, Pump End	1
9	12100104	Wave Spring	1
10	34300121	Bearing Isolator	1
11	3014709846	O-Ring, Suction Cover/ Bracket	2
12	3014709847	O-Ring, Backplate	1
13	3014709846	O-Ring, Suction Cover/ Bracket	2
14	30147436	O-Ring, Cleanout Cover	1
16	30147261	O-Ring, Seal	1
	30147382	O-Ring	1
	30147436	O-Ring	1
	31858118	Tapered Rubber Plug	1